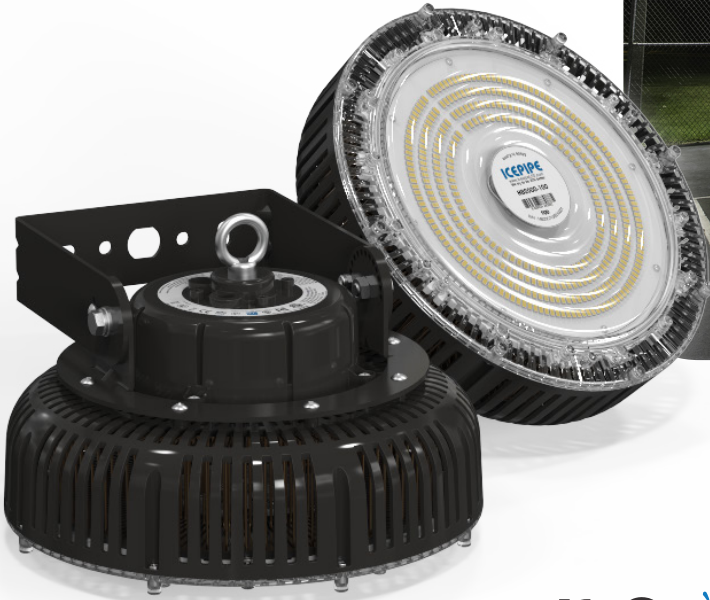


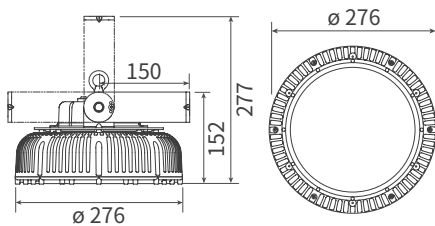
HB2200

- 130 W
- 150 W



DIMENSION

- Size : $\varnothing 276 \times 277$ mm
- Weight : 3.3 kg



FEATURES

- Clamping Technology applied LED flood light
- High luminous efficacy (150 lm/w)
- LED replacement for MH 400~500 W with 70% electricity saving
- Installable vertically and horizontally at any angle
- Various cover options and mounting options are available
- Various beam angle are available with cover lens
- Ultraviolet free, no mercury and lead-free RoHS Compliance

APPLICATION



Outdoor Sports Facilities



Building Exterior



Factory



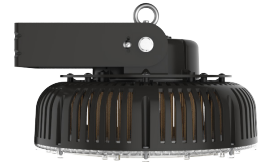
Swimming Pool

SPECIFICATION

· CCT : **Standard** 5,700 K / 3,000 K **Option** 5,000 K / 4,000 K / 2,700 K

Model No.	HB2200-130S	HB2200-150S
Wattage	130 W	150 W
Luminous Efficacy	150 lm/W	150 lm/W
Total Lumen	19,500 lm	22,500 lm
Replacement	MH 400 W	MH 500 W
External Driver	-	
Size	ø 276 x 277 mm	
Weight	3.3 kg	
CCT	5,700 K	
CRI	80 Ra	
Voltage	AC 120 - 277 V	
Frequency	50/60 Hz	
Installation Angle	360°	
PF	> 0.96	
THD	< 15%	
Protection Circuit	4 kV	
Material	Polycarbonate, STS	
Heatsink	Copper ICEPIPE Heatsink	
Operating Temperature	-30°C ~ 50°C (-22°F ~ 122°F)	
IP Rating	IP66	
LED Package Life time	50,000 hours (25°C) *LED package life time according to industry standard (LM80), high operating temperature may shorten life span of LED package and LED lamp.	

High wattage LED floodlight which is installable in anywhere with various mounting options



LED HIGH BAY

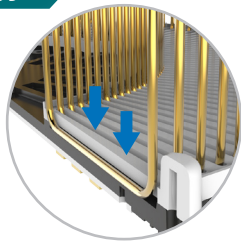
LED FLOOD LIGHT

LED BULB

LED FLAT PANEL LIGHT

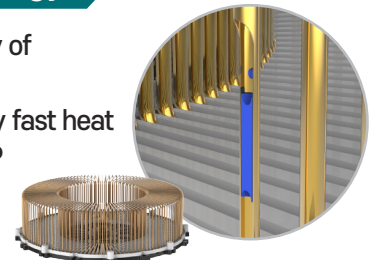
Clamping Technology

Unique heat dissipation technology using directional and elastic clamps



FDP Technology

Patent technology of ICEPIPE-Improved heat dissipation by fast heat transfer using FDP

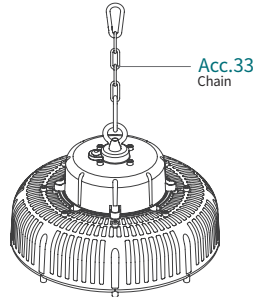


COVER OPTIONS

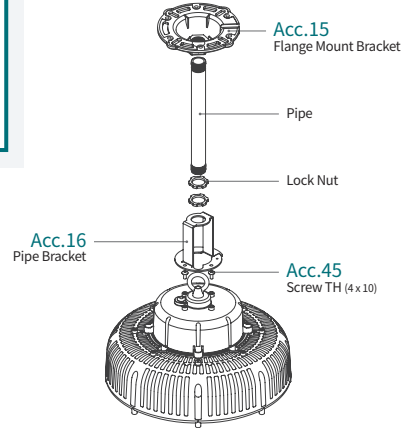
Type	Standard		Option			
Cover						
	Standard	Diffuser Cover	Cover Lens			Reflector
Beam Angle LIGHT DISTRIBUTION CURVE						
	80°	97°	45°	60°	110°	65°

INSTALLATION TYPE

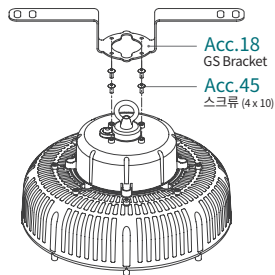
01 Chain



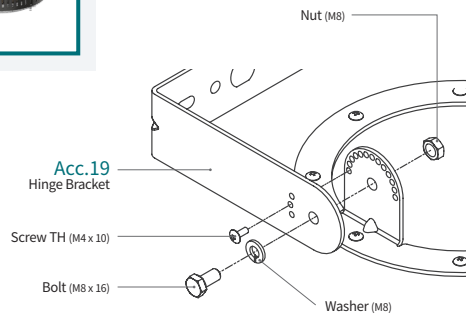
02 FMB Pipe Bracket



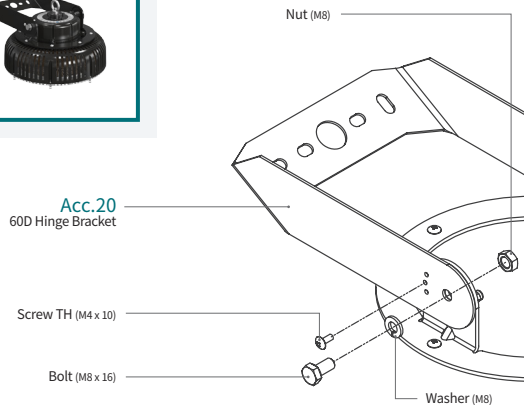
03 GS Bracket



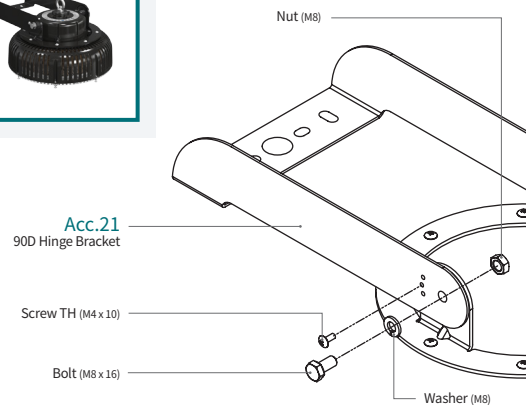
04 Hinge Bracket



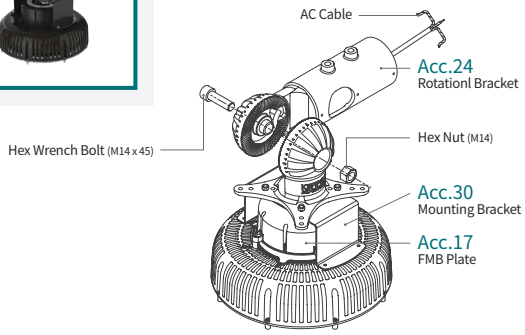
05 60D Hinge Bracket



06 90D Hinge Bracket



07 Rotationl Bracket



Acc.10 Reflector

