

LED FLOOD LIGHT HB2200-130S



- Clamping Technology applied LED flood light
- High luminous efficacy (150 lm/w)
- LED replacement for MH 400 W with 68% electricity saving
- Installable vertically and horizontally at any angle
- Various cover options and mounting options are available
- Various beam angle are available with cover lens
- Ultraviolet free, no mercury and lead-free RoHS Compliance



SPECIFICATION

ELECTRICAL

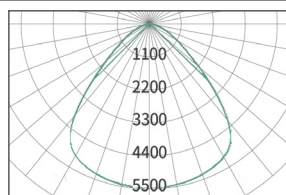
| | |
|--------------------|----------------|
| Wattage | 130 W |
| Power Input | AC 120 - 277 V |
| Frequency | 50/60 Hz |
| Power Factor (PF) | > 0.96 |
| THD | < 15% |
| Protection Circuit | 4 kV |

CONSTRUCTION

| | |
|-----------------------|------------------------------|
| Size | ø 276 x 277 mm |
| Weight | 3.3 kg |
| Material | Polycarbonate, STS |
| Heatsink | Copper ICEPIPE Heatsink |
| IP Rating | IP66 |
| Operating Temperature | -30°C ~ 50°C (-22°F ~ 122°F) |
| Installation Angle | 360° |

OPTICS

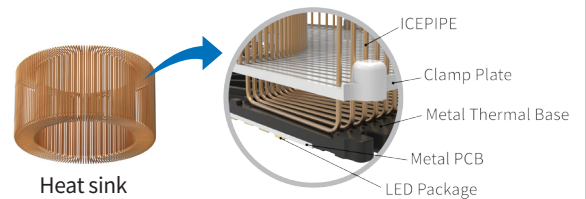
| | |
|-----------------------|--|
| Lumen output | 19,500 lm |
| Efficacy | 150 lm/W |
| Replacement | MH 400 W |
| CCT | 5,700 K |
| LED Package Life time | 50,000 hours (25°C) <small>*LED package life time according to industry standard (LM80). *High operating temperature may shorten life span of LED package and LED lamp.</small> |
| CRI | 80 Ra |
| Beam Angle | 80° |



ICEPIPE HEATSINK

Highly Efficient ICEPIPE heatsink

ICEPIPE heatsink was created by our patented Fluid Dynamic Pressure Technology, which enables heat dissipation 200 times faster (40,000 W/m·K) than that of conventional aluminum (Al) heatsink. Liquid circulation takes place inside the pipe, traveling through the coil and cooling down heat from the LEDs in the most efficient way.



- The fastest heat transfer rate
- Efficient air flow
- Uses light weight copper

APPLICATION



Swimming Pool



Outdoor Sports Facilities






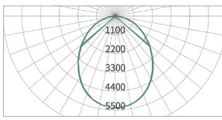
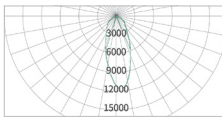
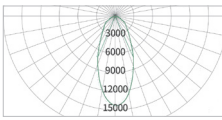
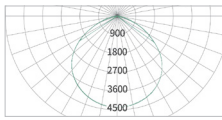
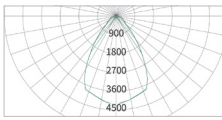
Building Exterior



Factory



COVER OPTIONS

| | | | | | |
|--------------------------|---|---|---|---|---|
| Cover |  |  | | |  |
| | Diffuser Cover | Cover Lens | | | Reflector |
| LIGHT DISTRIBUTION CURVE |  |  |  |  |  |
| Beam Angle | 97° | 45° | 60° | 110° | 65° |

INSTALLATION TYPE



Chain



FMB Pipe Bracket



GS Bracket



Hinge Bracket



60D Hinge Bracket



90D Hinge Bracket

PACKING

| Type | Single Unit Box | Pallet | 20ft Container-Palletized | Remarks |
|---------------|-----------------|-----------------------|---------------------------|-------------------------|
| Quantity | 1 | 72 | 720 (10 Pallets) | 3R x 3R x 8L = 72 (pcs) |
| Dimension(mm) | 320 x 320 x 230 | 1,100 x 1,100 x 1,990 | 5,500 x 2,200 x 1,990 | |
| GWT(kg) | 2.85 | 231 | 2,310 | |
| CBM | 0.023 | 2.36 | 23.60 | |

WARNINGS

- Do not use with direct current and ballast.
- Do not install the lamp in an enclosed place.
- Do not install on any other shade that is not provided by ICEPIPE.
- Please follow the recommended daily operating hours.
- Please read the instruction manual carefully before installation.



* Please refer to our full warranty terms and contact your sales representative for details.

