

LED HIGH BAY

HB2200-150



- Clamping Technology applied LED high bay
- High luminous efficacy (160 lm/w)
- LED replacement for MH 500 W with 70% electricity saving
- Installable vertically and horizontally at any angle
- Various cover options and mounting options are available
- Various beam angle are available with cover lens
- Ultraviolet free, no mercury and lead-free RoHS Compliance



SPECIFICATION

ELECTRICAL

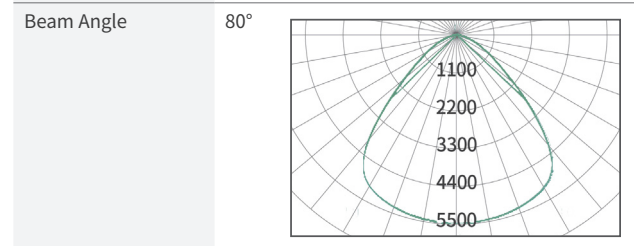
Wattage	150 W
Power Input	AC 120 - 277 V
Frequency	50/60 Hz
Power Factor (PF)	> 0.96
THD	< 15%
Protection Circuit	4 kV

CONSTRUCTION

Size	ø 276 x 199 mm
Weight	2.6 kg
Material	Polycarbonate
Heatsink	Copper ICEPIPE Heatsink
Operating Temperature	-30°C ~ 50°C (-22°F ~ 122°F)
Installation Angle	360°

OPTICS

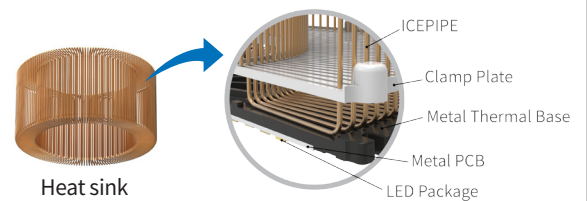
Lumen output	24,000 lm
Efficacy	160 lm/W
Replacement	MH 500 W
CCT	5,700 K
LED Package Life time	50,000 hours (25°C) *LED package life time according to industry standard (LM80). *High operating temperature may shorten life span of LED package and LED lamp.
CRI	80 Ra



ICEPIPE HEATSINK

Highly Efficient ICEPIPE heatsink

ICEPIPE heatsink was created by our patented Fluid Dynamic Pressure Technology, which enables heat dissipation 200 times faster (40,000 W/m·K) than that of conventional aluminum (Al) heatsink. Liquid circulation takes place inside the pipe, traveling through the coil and cooling down heat from the LEDs in the most efficient way.

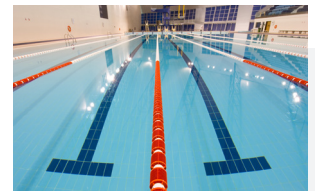


- The fastest heat transfer rate
- Efficient air flow
- Uses light weight copper

APPLICATION



Factory



Swimming Pool







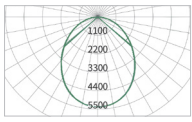
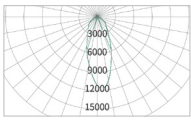
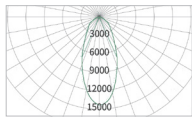
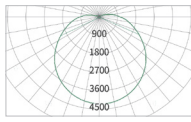
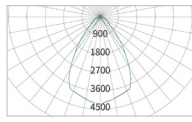
Auditorium



Warehouse



COVER OPTIONS

Cover					
	Diffuser Cover	Cover Lens		Dome Diffuser	Reflector
LIGHT DISTRIBUTION CURVE					
Beam Angle	97°	45°	60°	130°	65°

INSTALLATION TYPE



체인



FMB 파이프 브라켓



GS 브라켓



힌지 브라켓



힌지 60도 브라켓



힌지 90도 브라켓

PACKING

Type	Single Unit Box	Pallet	20ft Container-Palletized	Remarks
Quantity	1	72	720 (10 Pallets)	3R x 3R x 8L = 72 pcs
Dimension(mm)	320 x 320 x 230	1,100 x 1,100 x 1,990	5,500 x 2,200 x 1,990	
GWT(kg)	2.85	231	2,310	
CBM	0.023	2.36	23.60	

⚠ WARNINGS

- Do not use with direct current and ballast.
- Do not install the lamp in an enclosed place.
- Do not install on any other shade that is not provided by ICEPIPE.
- Please follow the recommended daily operating hours.
- Please read the instruction manual carefully before installation.



* Please refer to our full warranty terms and contact your sales representative for details.

