

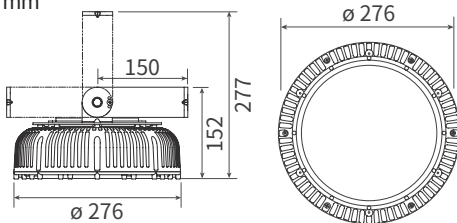
80 W / 100 W

# HB2000



## DIMENSION

- Size :  $\varnothing 276 \times 277$  mm
- Weight : 2.7 kg



## FEATURES

- Clamping Technology applied LED flood light
- High luminous efficacy (150 lm/W)
- LED replacement for MH 250-350 W with 75% electricity saving
- Installable vertically and horizontally at any angle
- Various cover options and mounting options are available
- Various beam angle are available with cover lens
- Ultraviolet free, no mercury and lead-free RoHS Compliance

## SPECIFICATION

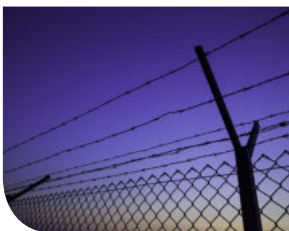
Model No.	Wattage	Replacement	Luminous Efficacy	Total Lumen	CRI	CCT	Voltage	Frequency
HB2000-80S	80 W	MH 250 W	150 lm/W	12,000 lm	80 Ra	5,700 K	AC 120-277 V	50/60 Hz
HB2000-100S	100 W	MH 350 W	150 lm/W	15,000 lm				

- PF : > 0.96
- THD : < 15 %
- Surge withstand capability : 4 kV
- IP Rating : IP66

- Material : Polycarbonate, STS
- Heatsink : Copper ICEPIPE Heatsink
- Operating Temperature : -30°C ~ 50°C (-22°F ~ 122°F)
- Installation Angle : 360°

- CCT : Standard - 5700 K, 3000 K / Option - 5000 K, 4000 K, 2700 K
- LED Package Life time : 50,000 hours (25°C)
- \*LED package life time according to industry standard (LM80), high operating temperature may shorten life span of LED package and LED lamp.

## APPLICATION



Military Border



Outdoor Sports Facilities



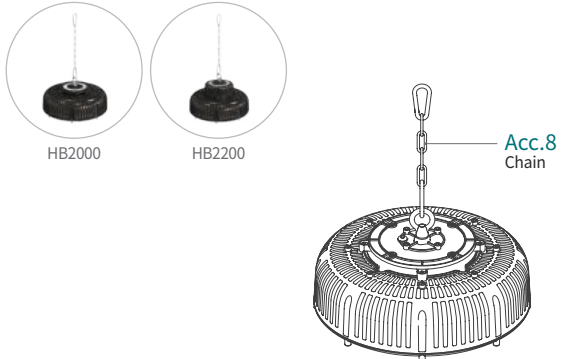
Building Exterior



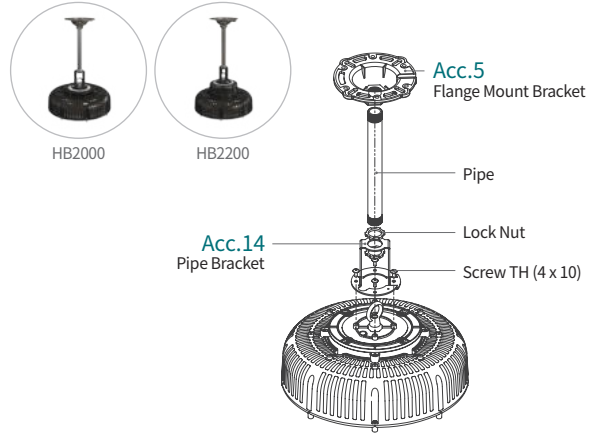
Gas Station

**INSTALLATION TYPE** \* Illustrated by HB2000

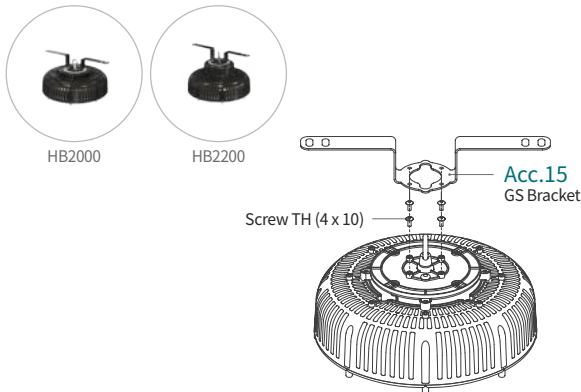
**① Chain**



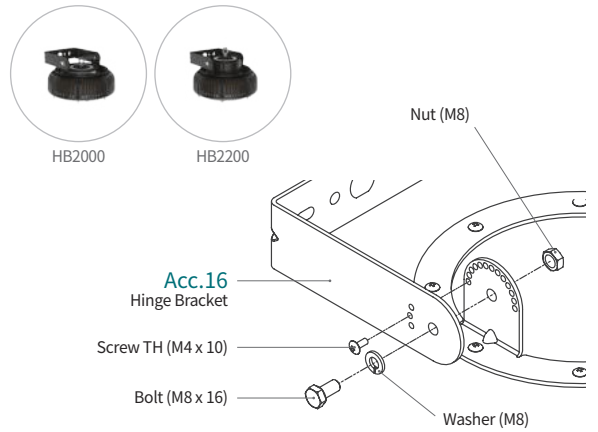
**② FMB Pipe Bracket**



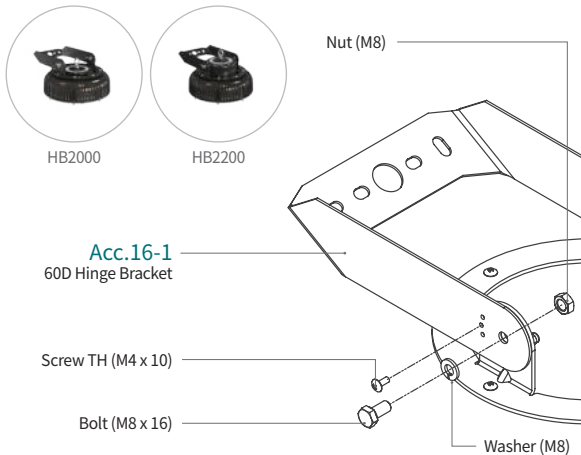
**③ GS Bracket**



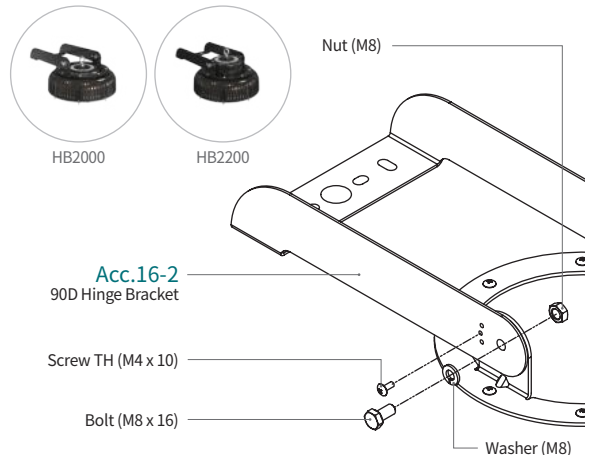
**④ Hinge Bracket**



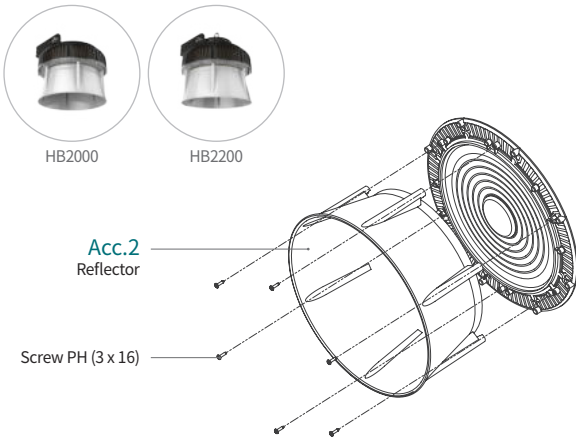
**⑤ 60D Hinge Bracket**



**⑥ 90D Hinge Bracket**



Acc.2 Reflector



Beam Angle \* Illustrated by HB2000

Standard	Clear	Diffuser Cover	Cover Lens		Reflector
80°	97°	45°	60°	110°	65°