



ICEPIPE LED LIGHTING

External Driver

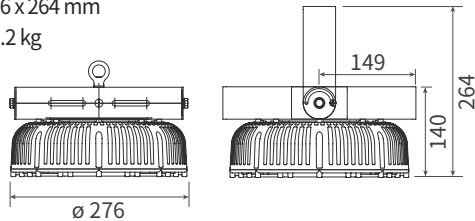
60W / 80 W / 100 W

HB2010



DIMENSION

- Size : $\phi 276 \times 264$ mm
- Weight : 3.2 kg



FEATURES

- Convenient maintenance with external driver
- Clamping Technology applied LED flood light
- High luminous efficacy (150 lm/W)
- LED replacement for MH 200~350 W with 75% electricity saving
- Various cover options and mounting options are available
- Various beam angle are available with cover lens
- Ultraviolet free, no mercury and lead-free RoHS Compliance

SPECIFICATION

Model No.	Wattage	Replacement	Luminous Efficacy	Total Lumen	CRI	CCT	Voltage	Frequency	Surge withstand capability
HB2010-60S	60 W	MH 200 W	150 lm/W	9,000 lm	80 Ra	5,700 K	AC 100-240 V	50/60 Hz	2kV(L-N) 4kV(Line-FG)
HB2010-80S	80 W	MH 250 W	150 lm/W	12,000 lm	80 Ra	5,700 K	AC 220-240 V	50/60 Hz	4 kV
HB2010-100S	100 W	MH 350 W	150 lm/W	15,000 lm					

- PF : > 0.96 (HB2010-60S : > 0.9)
- THD : < 15% (HB2010-60S : < 20%)
- IP Rating : IP66
- Material : Polycarbonate, STS
- Heatsink : Copper ICEPIPE Heatsink
- Operating Temperature : -30°C ~ 50°C (-22°F ~ 122°F)
- Installation Angle : 360°

- External Driver : 100W x 1EA (3 in 1 dimming: 0-10V/PWM/3-Timer-Modes for 60S)
- CCT : Standard - 5700 K, 3000 K / Option - 5000 K, 4000 K, 2700 K
- LED Package Life time : 50,000 hours (25°C)
- *LED package life time according to industry standard (LM80), high operating temperature may shorten life span of LED package and LED lamp.

APPLICATION



Military Border



Outdoor Sports Facilities



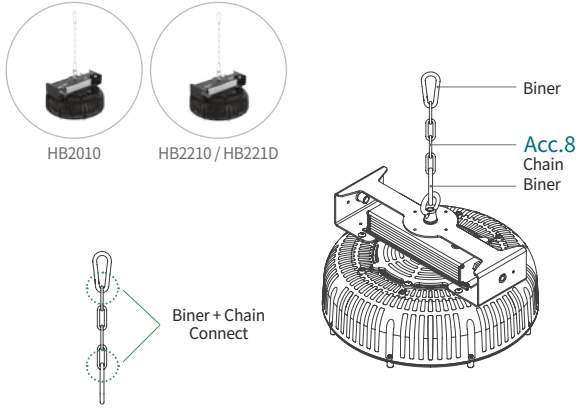
Building Exterior



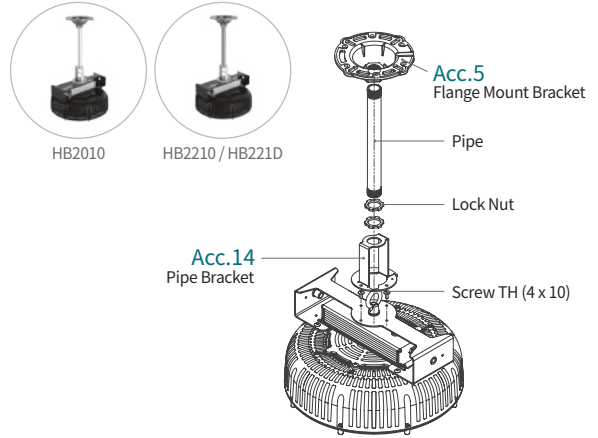
Gas Station

INSTALLATION TYPE * Illustrated by HB221D

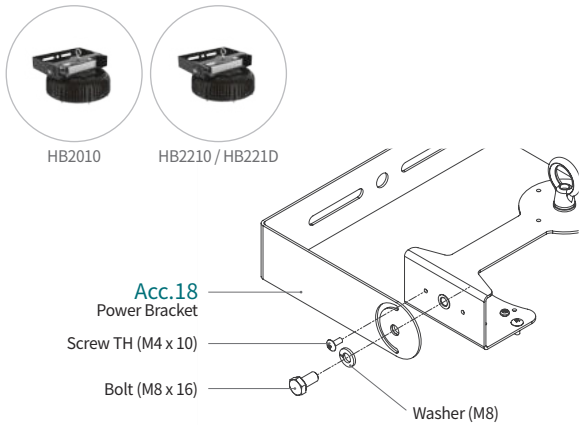
① Chain



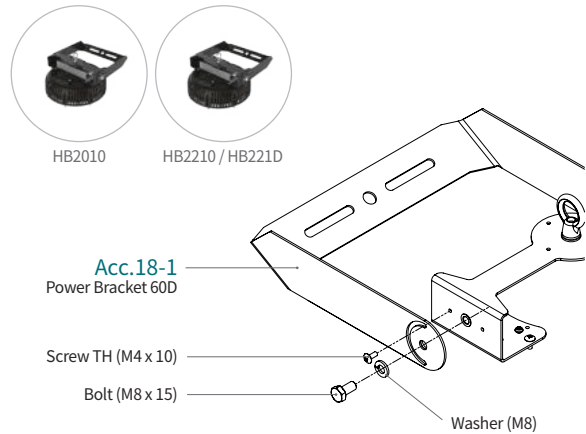
② FMB Pipe Bracket



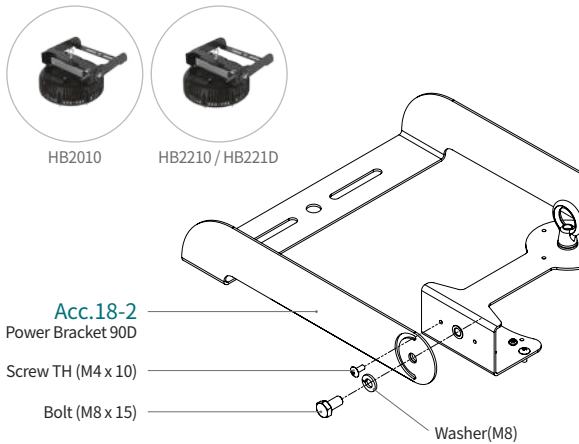
③ Power Bracket



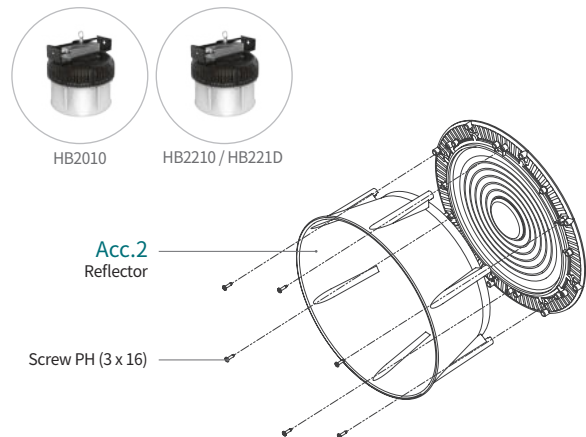
④ Power Bracket 60D



⑤ Power Bracket 90D

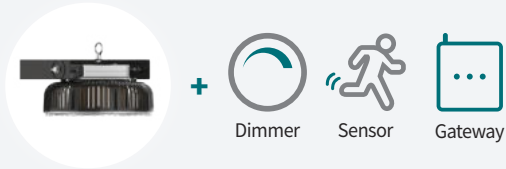


Acc.2 Reflector





Dimming Option



- 0-10V/PWM/3-Timer-Modes
- Motion/daylight sensor
- Wireless/wired control applicable

If it's not compatible dimming (0-10V, PWM, 3-timer-modes), interface controller is required.
 e.g.) If it's connected with DALI/DMX, additional switching module (DALI-PWM converter) is needed.

Beam Angle * Illustrated by HB2010

Standard	Clear	Diffuser Cover	Cover Lens		Reflector
80°	97°	35°	50°	110°	65°