

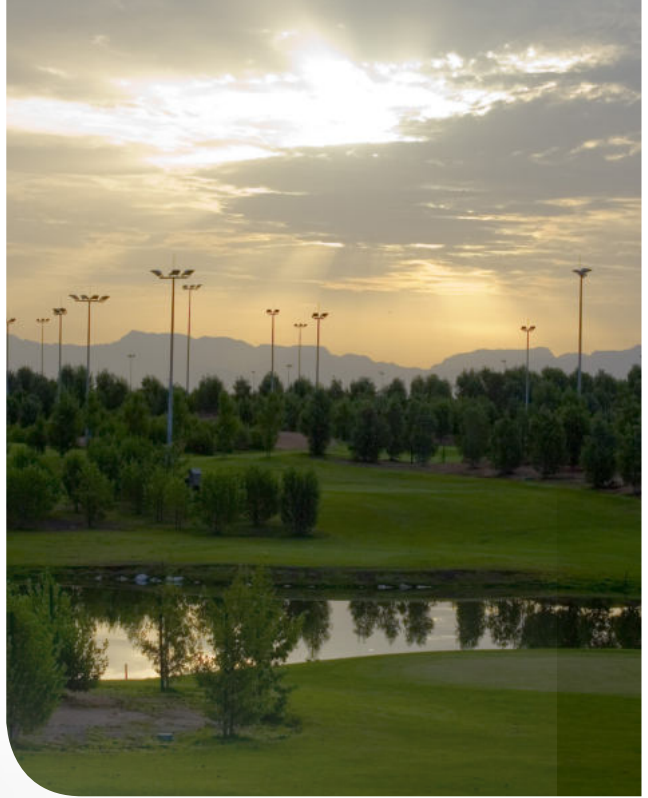
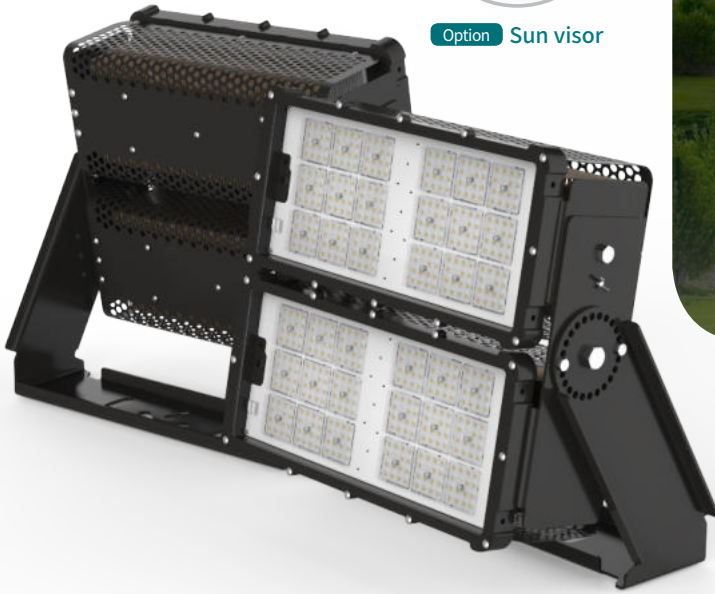
External Driver

800 W / 900 W

RCT



Option Sun visor



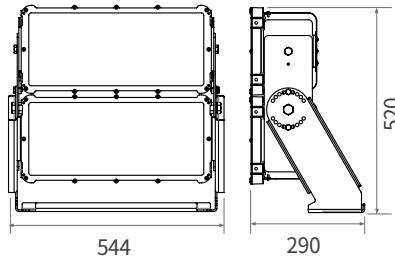
LED HIGH BAY

LED FLOOD LIGHT

LED BULB

DIMENSION

- Size : 544 x 290 x 520 mm
- Weight : 24 kg (Driver not incl.)



FEATURES

- External driver for safe & easy repair
- Extended irradiation distance by applying narrow angle lens
- Fast ROI (Return On Investment) by replacing MH 2~2.5kW
- Excellent heat dissipation by ICEPIPE FDP technology
- Improved durability by metal housing & glass cover
- Various lens options provide optimal illumination for the installation site
- IP67 (driver & lamp) for outdoor use
- Eco-friendly & RoHS compliant (UV/Lead/Mercury-free)

SPECIFICATION

Model No.	Wattage	Replacement	Luminous Efficacy	Total Lumen	CRI	CCT	Voltage	Frequency
RCT-800A	800 W	MH 2 kW	115 lm/W	92,000 lm	75 Ra	5,700 K	AC 100-240 V	50/60 Hz
RCT-800C	800 W	MH 2 kW	140 lm/W	112,000 lm				
RCT-900C	900 W	MH 2.5 kW	140 lm/W	126,000 lm				

- PF : > 0.9
- THD : < 15 %
- Surge withstand capability : 6 kV
- IP Rating : IP67

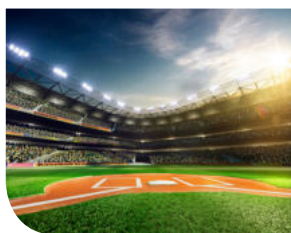
- Material : Steel
- Heatsink : Copper ICEPIPE Heatsink
- Operating Temperature : -30°C ~ 50°C (-22°F ~ 122°F)
- Installation Angle : 360°

- External Driver : 480W x 2EA (3 in 1 dimming: 0-10V/PWM/3-Timer-Modes)
 - CCT : Standard - 5700 K / Option - 5000 K, 4000 K, 3000 K, 2700 K
 - LED Package Life time : 50,000 hours (25°C)
- *LED package life time according to industry standard (LM80), high operating temperature may shorten life span of LED package and LED lamp.

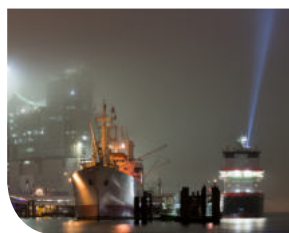
APPLICATION



Golf Course



Stadium



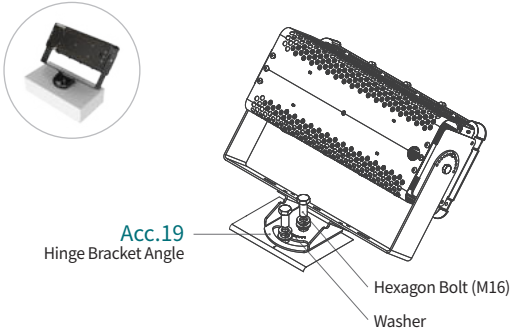
Port



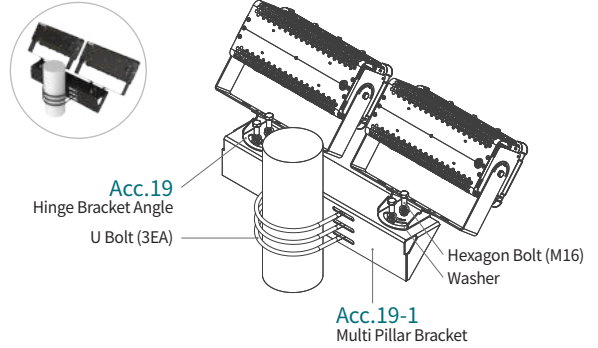
Outdoor Facilities

INSTALLATION TYPE * Applied to RCT-400 / RCT-450 / RCT-400C / RCT-450C

① Hinge Bracket Angle



② Multi Pillar Bracket



BEAM ANGLE

RCT-400	RCT-450	RCT-400C		RCT-450C	
120°		20°	30°	45°	60°
RCT-800A		RCT-800C		RCT-900C	
10°		20°		30°	
				45°	
				60°	
RCT-1200A		RCT-1200C		RCT-1350C	
10°		20°		30°	
				45°	
				60°	