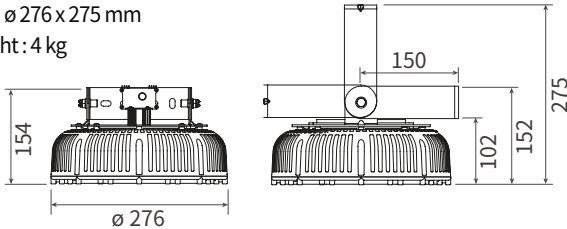


HB2510



DIMENSION

- Size : \varnothing 276 x 275 mm
- Weight : 4 kg



FEATURES

- Convenient maintenance with external driver
- Clamping Technology applied LED flood light
- Through a double-array ICEPIPE, expanded heat dissipation space even having less volume
- High luminous efficacy (140 lm/W)
- LED replacement for MH 600 W with 70% electricity saving
- 360 degree installation without restriction.
- Various beam angle are available with cover lens
- Ultraviolet free, no mercury and lead-free RoHS Compliance

SPECIFICATION

Model No.	Wattage	Replacement	Luminous Efficacy	Total Lumen	CRI	CCT	Voltage	Frequency
HB2510-200S	200 W	MH 600 W	140 lm/W	28,000 lm	80 Ra	5,700 K	AC 100-240 V	50/60 Hz

- PF : > 0.96
- THD : < 10 %
- Surge withstand capability : L-N 6kV, L-FG 10kV
- Operating Temperature : -30°C ~ 50°C (-22°F ~ 122°F)

- Material : Polycarbonate, STS
- Heatsink : Copper ICEPIPE Heatsink
- IP Rating : IP66
- Installation Angle : 360°

- External Driver : 200W x 1EA (3 in 1 dimming: 0-10V/PWM/3-Timer-Modes)
- CCT : Standard - 5700 K, 3000 K / Option - 5000 K, 4000 K, 2700 K
- LED Package Life time : 50,000 hours (25°C)
*LED package life time according to industry standard (LM80), high operating temperature may shorten life span of LED package and LED lamp.

APPLICATION



Military Border



Outdoor Sports Facilities



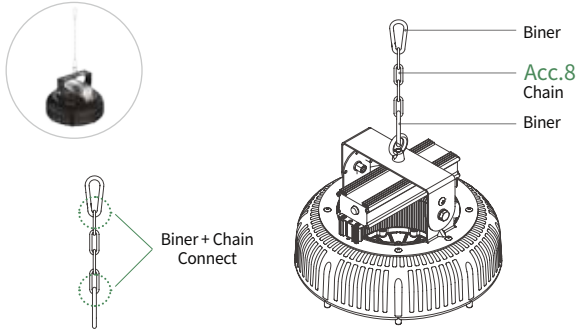
Building Exterior



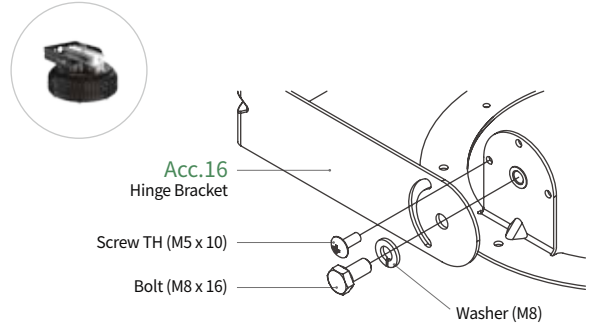
Gas Station

INSTALLATION TYPE

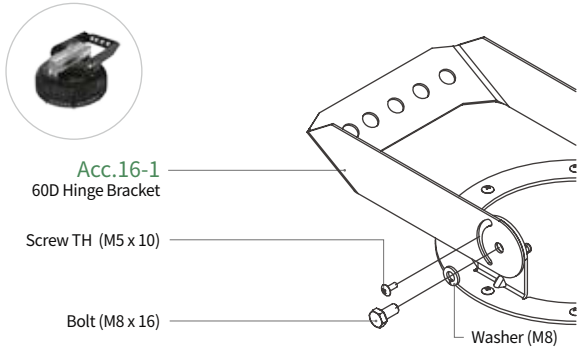
① Chain



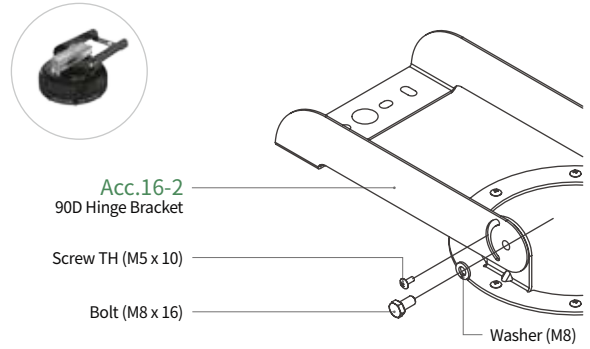
② Hinge Bracket



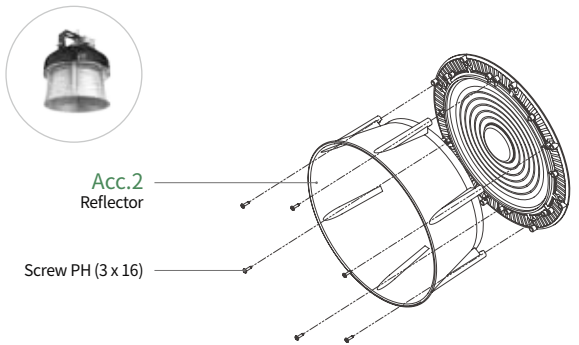
③ 60D Hinge Bracket



④ 90D Hinge Bracket



Acc.2 Reflector



Beam Angle

Standard	Clear	Diffuser Cover	Cover Lens		Reflector
80°	97°	35°	50°	110°	65°