

External Driver

400 W

NCD

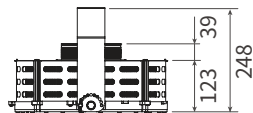
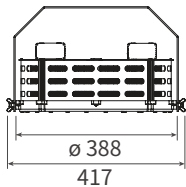


Option Sun visor



DIMENSION

- Size : \varnothing 388 x 248 mm
- Weight : 8.6 kg



FEATURES

- High wattage but compact size
- External driver for safe & easy repair
- Usable at indoor and outdoor with various mounting options
- Compact and versatile design with 360° installation angle
- IP66 (driver & lamp) for outdoor use
- Excellent heat dissipation by ICEPIPE FDP technology
- Eco-friendly & RoHS compliant (UV/Lead/Mercury-free)

SPECIFICATION

Model No.	Wattage	Replacement	Luminous Efficacy	Total Lumen	CRI	CCT	Voltage	Frequency
NCD-400	400 W	MH 1 kW	140 lm/W	56,000 lm	> 80 Ra	5,700 K	AC 220 V	50/60 Hz
NCD-400C	400 W	MH 1 kW	150 lm/W	60,000 lm	> 75 Ra			

- PF : > 0.95
- THD : < 15 %
- Surge withstand capability : L-N 4kV, L-FG 2kV
- IP Rating : IP66
- Material : Polycarbonate, aluminum, Steel
- Heatsink : Copper ICEPIPE Heatsink
- Operating Temperature : -30°C ~ 50°C
- Installation Angle : 360°
- CCT : 5700 K
- LED Package Life time : 50,000 hours (25°C)
- *LED package life time according to industry standard (LM80), high operating temperature may shorten life span of LED package and LED lamp

APPLICATION



Indoor Sports Facilities



Outdoor Sports Facilities



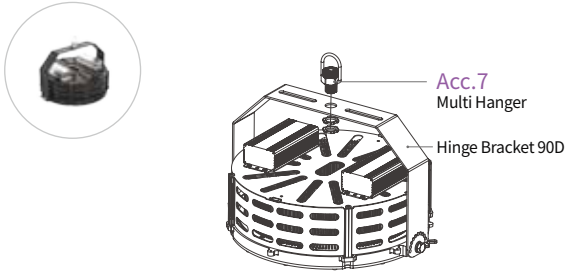
Building Exterior



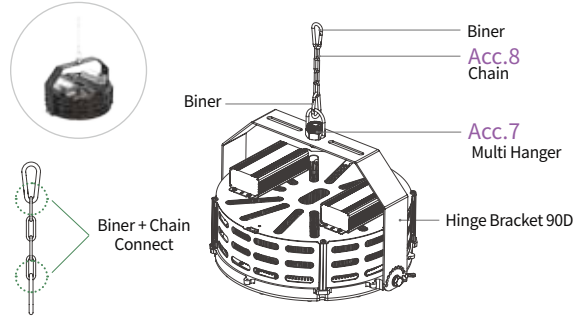
Outdoor Parking Lot

INSTALLATION TYPE

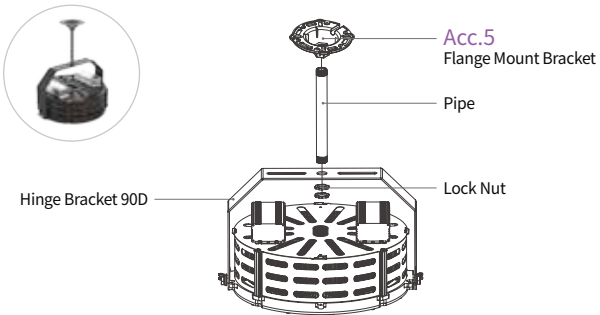
① Multi Hanger



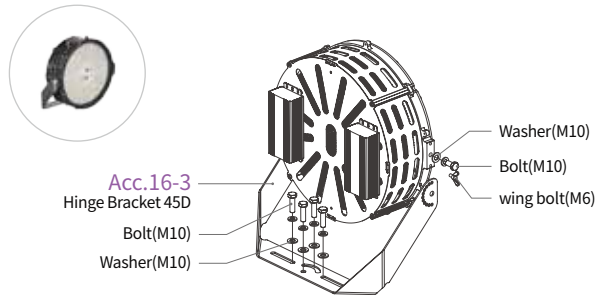
② Chain



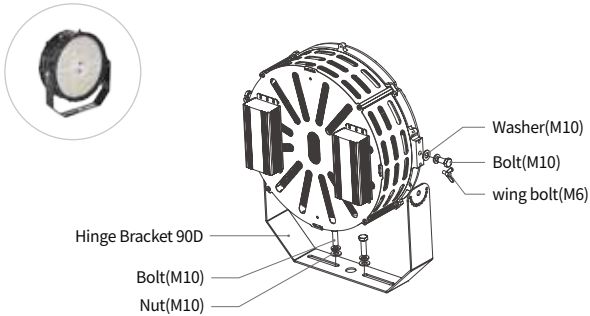
③ Pipe



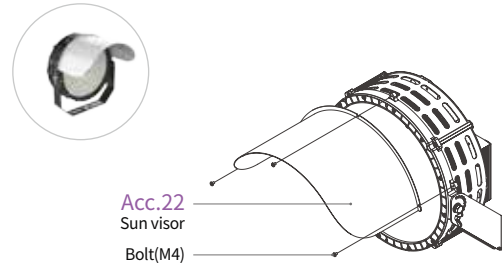
④ Hinge Bracket 45D



⑤ (STANDARD) Hinge Bracket 90D



Acc. 22 Sun visor



Beam Angle

NCD-400	NCD-400C				
110°	20°	30°	45°	60°	