

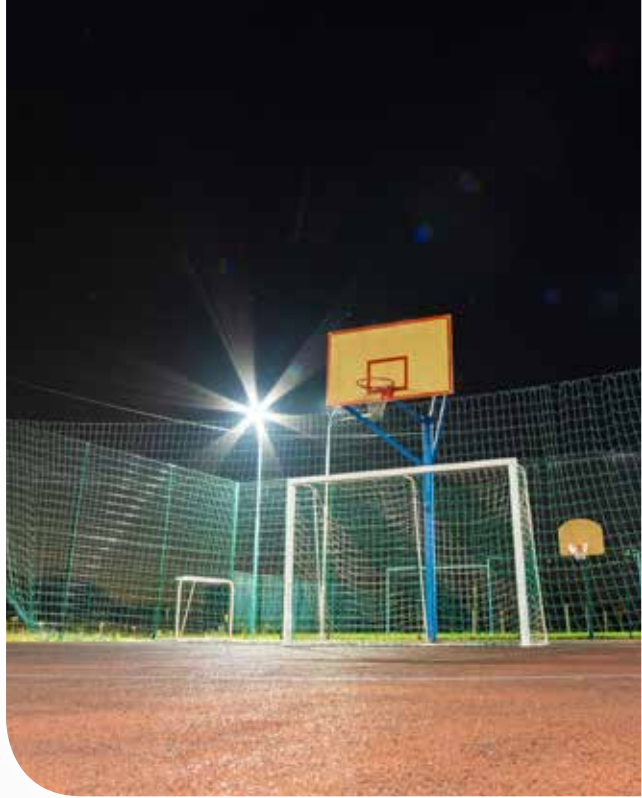
External Driver

400 W / 450 W

# RCT

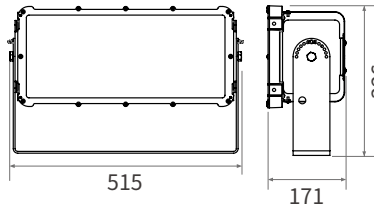


Option Sun visor



## DIMENSION

- Size : 515 x 171 x 326 mm
- Weight : 10.5 kg (Driver not incl.)



## FEATURES

- External driver for safe & easy repair
- Replace MH 1~1.2kW
- Excellent heat dissipation by ICEPIPE FDP technology
- Improved durability by metal housing & glass cover
- Various lens options (20°~120°)
- IP67 (driver & lamp) for outdoor use
- Eco-friendly & RoHS compliant (UV/Lead/Mercury-free)

## SPECIFICATION

Model No.	Wattage	Replacement	Luminous Efficacy	Total Lumen	CRI	CCT	Voltage	Frequency
RCT-400	400 W	MH 1 kW	145 lm/W	58,000 lm	80 Ra	5,700 K	AC 100-240 V	50/60 Hz
RCT-450	450 W	MH 1.2 kW	145 lm/W	65,250 lm				
RCT-400C	400 W	MH 1 kW	140 lm/W	56,000 lm	75 Ra			
RCT-450C	450 W	MH 1.2 kW	140 lm/W	63,000 lm				

- PF : > 0.9
- THD : < 15 %
- Surge withstand capability : L-N 6kV, L-FG 10kV
- IP Rating : IP67

- Material : Steel
- Heatsink : Copper ICEPIPE Heatsink
- Operating Temperature : -30°C ~ 50°C
- Installation Angle : 360°

- External Driver : 480W x 1EA (3 in 1 dimming: 0-10V/PWM/3-Timer-Modes)
  - CCT : Standard - 5700K / Option - 3000K(Non-lens type only)
  - LED Package Life time : 50,000 hours (25°C)
- \*LED package life time according to industry standard (LM80), high operating temperature may shorten life span of LED package and LED lamp.

## APPLICATION



Outdoor Sports Facilities



Port



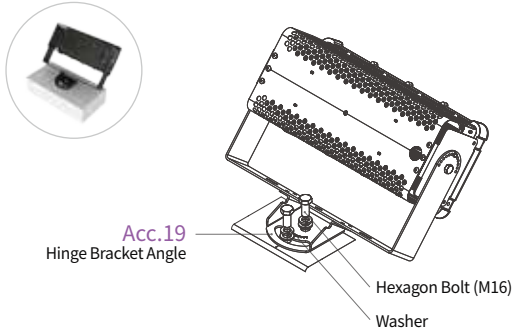
Factory



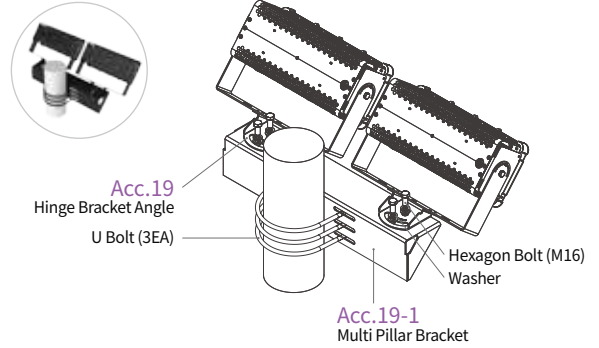
Outdoor Parking Lot

**INSTALLATION TYPE** \* Applied to RCT-400 / RCT-450 / RCT-400C / RCT-450C

**① Hinge Bracket Angle**



**② Multi Pillar Bracket**



**BEAM ANGLE**

RCT-400	RCT-450	RCT-400C		RCT-450C	
120°		20°	30°	45°	60°
RCT-800A	RCT-800C		RCT-900C		
10°	20°	30°	45°	60°	
RCT-1200A	RCT-1200C		RCT-1350C		
10°	20°	30°	45°	60°	