

External Driver

800 W / 900 W

# RCT



Option Sun visor



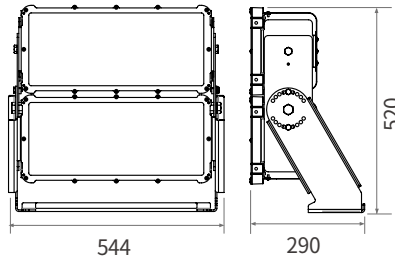
LED HIGH BAY

LED FLOOD LIGHT

LED BULB

## DIMENSION

- Size : 544 x 290 x 520 mm
- Weight : 24 kg (Driver not incl.)



## FEATURES

- External driver for safe & easy repair
- Extended irradiation distance by applying narrow angle lens
- Fast ROI (Return On Investment) by replacing MH 2~2.5kW
- Excellent heat dissipation by ICEPIPE FDP technology
- Improved durability by metal housing & glass cover
- Various lens options provide optimal illumination for the installation site
- IP67 (driver & lamp) for outdoor use
- Eco-friendly & RoHS compliant (UV/Lead/Mercury-free)

## SPECIFICATION

Model No.	Wattage	Replacement	Luminous Efficacy	Total Lumen	CRI	CCT	Voltage	Frequency
RCT-800A	800 W	MH 2 kW	115 lm/W	92,000 lm	75 Ra	5,700 K	AC 100-240 V	50/60 Hz
RCT-800C	800 W	MH 2 kW	140 lm/W	112,000 lm				
RCT-900C	900 W	MH 2.5 kW	140 lm/W	126,000 lm				

- PF : > 0.9
  - THD : < 15 %
  - Surge withstand capability : L-N 6kV, L-FG 10kV
  - IP Rating : IP67
  - Material : Steel
  - Heatsink : Copper ICEPIPE Heatsink
  - Operating Temperature : -30°C ~ 50°C
  - Installation Angle : 360°
  - External Driver : 480W x 2EA (3 in 1 dimming: 0-10V/PWM/3-Timer-Modes)
  - CCT : 5700K
  - LED Package Life time : 50,000 hours (25°C)
- \*LED package life time according to industry standard (LM80), high operating temperature may shorten life span of LED package and LED lamp.

## APPLICATION



Golf Course



Stadium



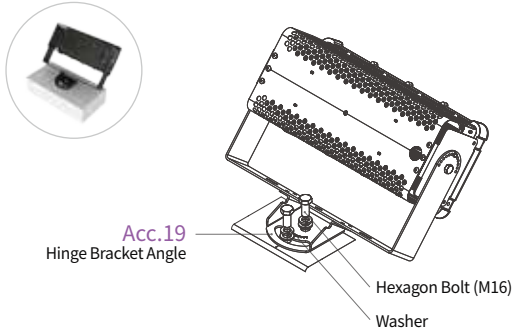
Port



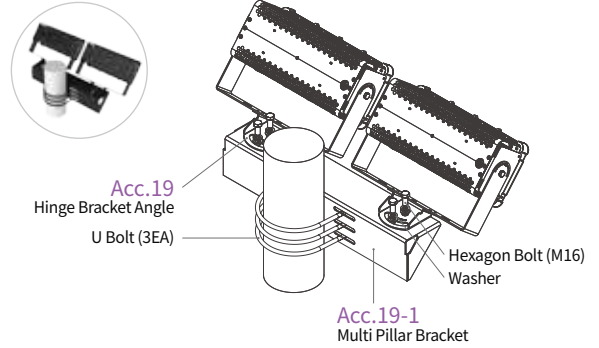
Outdoor Facilities

**INSTALLATION TYPE** \* Applied to RCT-400 / RCT-450 / RCT-400C / RCT-450C

**① Hinge Bracket Angle**



**② Multi Pillar Bracket**



**BEAM ANGLE**

RCT-400	RCT-450	RCT-400C		RCT-450C	
120°		20°	30°	45°	60°
RCT-800A		RCT-800C		RCT-900C	
10°		20°		30°	
				45°	
				60°	
RCT-1200A		RCT-1200C		RCT-1350C	
10°		20°		30°	
				45°	
				60°	