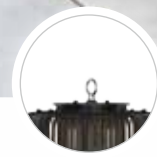




80 W / 100 W

# HB2000



Hook Type

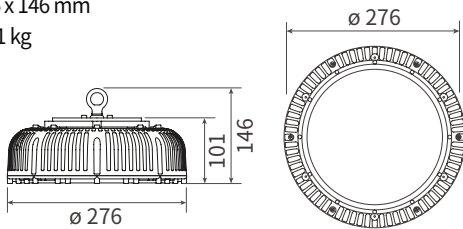


Socket Type



## DIMENSION

- Size :  $\phi 276 \times 146$  mm
- Weight : 2.1 kg



## FEATURES

- Clamping Technology applied LED high bay
- High luminous efficacy (150 lm/w)
- LED replacement for MH 250~350 W with 75% electricity saving
- Installable vertically and horizontally at any angle
- Various cover options and mounting options are available
- Various beam angle are available with cover lens
- Ultraviolet free, no mercury and lead-free RoHS Compliance

## SPECIFICATION

Model No.	Wattage	Replacement	Luminous Efficacy	Total Lumen	CRI	CCT	Voltage	Frequency
HB2000-80S	80 W	MH 250 W	150 lm/W	12,000 lm	80 Ra	5,700 K	AC 120-277 V	50/60 Hz
HB2000-100S	100 W	MH 350 W	150 lm/W	15,000 lm				

- PF : > 0.96
- THD : < 15 %
- Surge withstand capability : L-N 4kV, L-FG 6kV
- Operating Temperature : -30°C ~ 50°C (-22°F ~ 122°F)
- Material : Polycarbonate
- Heatsink : Copper ICEPIPE Heatsink
- IP Rating : -
- Installation Angle : 360°
- CCT : Standard - 5700 K, 3000 K / Option - 5000 K, 4000 K, 2700 K
- LED Package Life time : 50,000 hours (25°C)
- \*LED package life time according to industry standard (LM80), high operating temperature may shorten life span of LED package and LED lamp.

## APPLICATION



Factory



Gymnasium



Auditorium

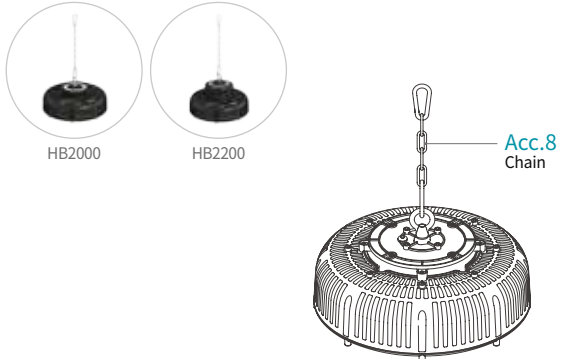


Warehouse

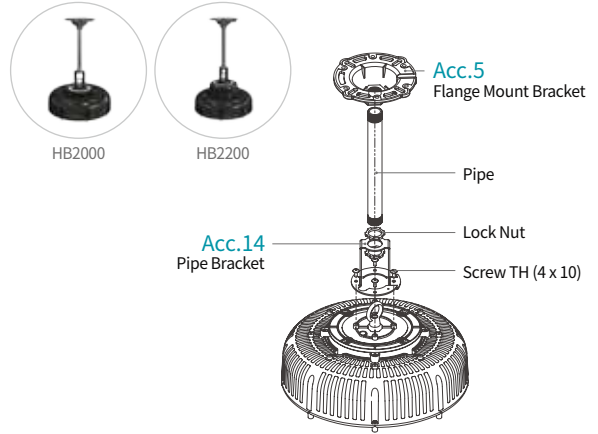


# INSTALLATION TYPE \* Illustrated by HB2000

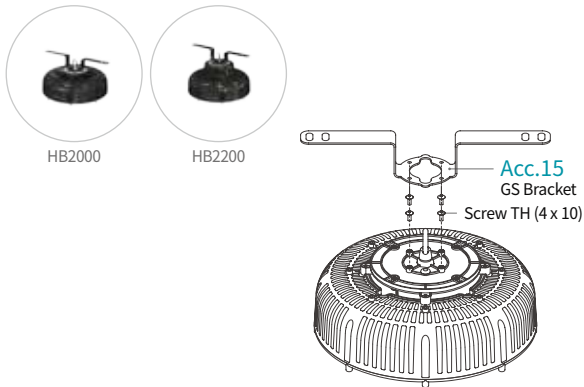
## ① Chain



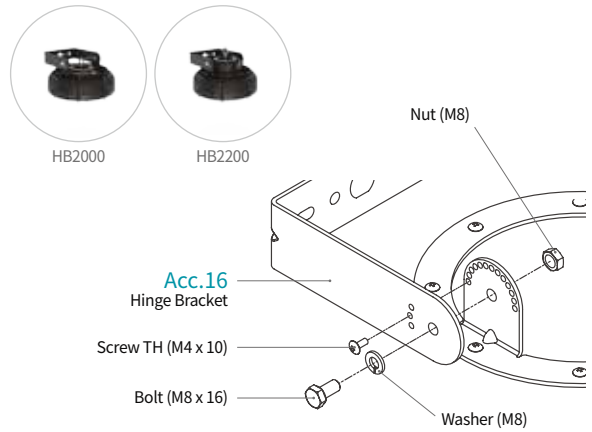
## ② FMB Pipe Bracket



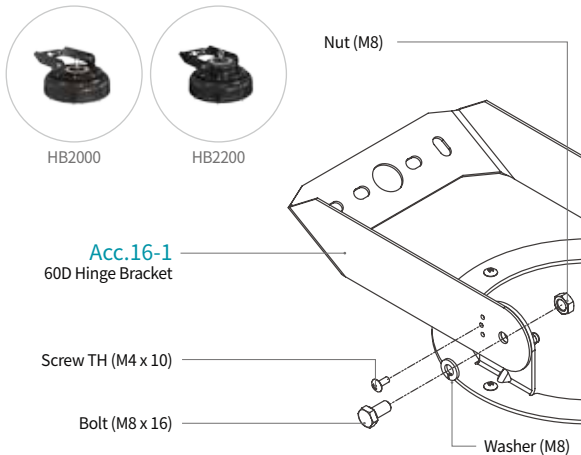
## ③ GS Bracket



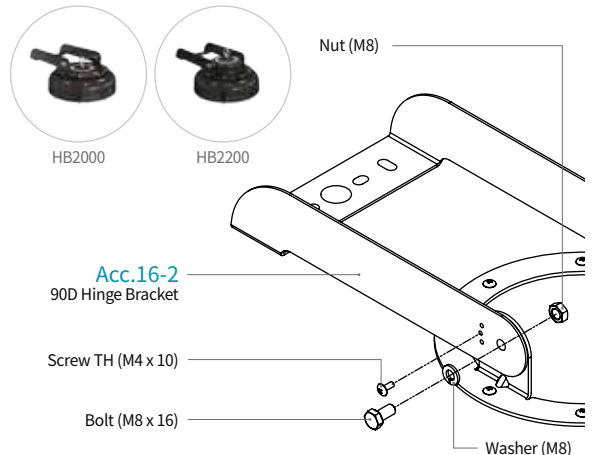
## ④ Hinge Bracket



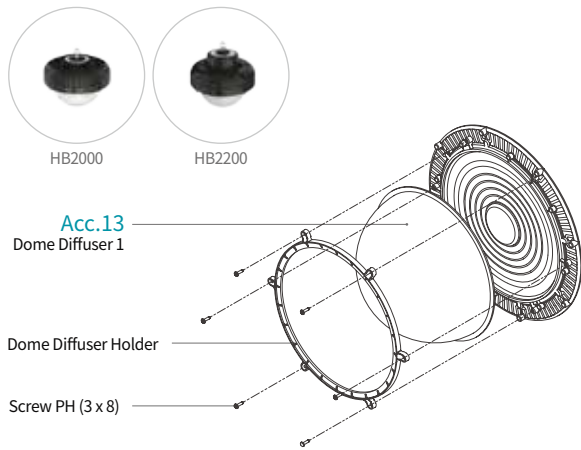
## ⑤ 60D Hinge Bracket



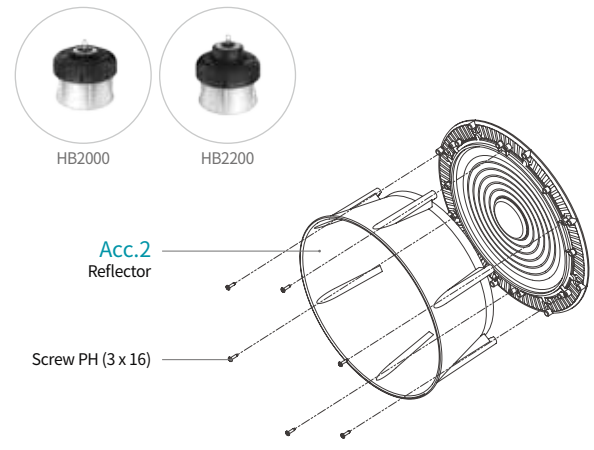
## ⑥ 90D Hinge Bracket



**Acc.13 Dome Diffuser**



**Acc.2 Reflector**



**Beam Angle** \* Illustrated by HB2000

Standard	Clear	Diffuser Cover	Cover Lens		Dome Diffuser	Reflector
80°	97°	45°	60°	110°	130°	65°