

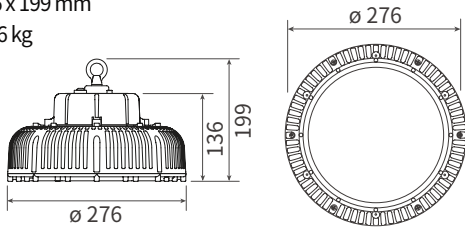
130 W / 150 W

HB2200



DIMENSION

- Size : \varnothing 276 x 199 mm
- Weight : 2.6 kg



FEATURES

- Clamping Technology applied LED high bay
- High luminous efficacy (150 lm/w)
- LED replacement for MH 400~500 W with 70% electricity saving
- Installable vertically and horizontally at any angle
- Various cover options and mounting options are available
- Various beam angle are available with cover lens
- Ultraviolet free, no mercury and lead-free RoHS Compliance

SPECIFICATION

| Model No. | Wattage | Replacement | Luminous Efficacy | Total Lumen | CRI | CCT | Voltage | Frequency |
|-------------|---------|-------------|-------------------|-------------|-------|---------|--------------|-----------|
| HB2200-130S | 130 W | MH 400 W | 150 lm/W | 19,500 lm | 80 Ra | 5,700 K | AC 120-277 V | 50/60 Hz |
| HB2200-150S | 150 W | MH 500 W | 150 lm/W | 22,500 lm | | | | |

- PF : > 0.96
- THD : < 15 %
- Surge withstand capability : L-N 4kV, L-FG 6kV
- Operating Temperature : -30°C ~ 50°C (-22°F ~ 122°F)

- Material : Polycarbonate
- Heatsink : Copper ICEPIPE Heatsink
- IP Rating : -
- Installation Angle : 360°

- CCT : Standard - 5700 K, 3000 K / Option - 5000 K, 4000 K, 2700 K
- LED Package Life time : 50,000 hours (25°C)
- *LED package life time according to industry standard (LM80), high operating temperature may shorten life span of LED package and LED lamp.

APPLICATION



Factory



Swimming Pool



Auditorium

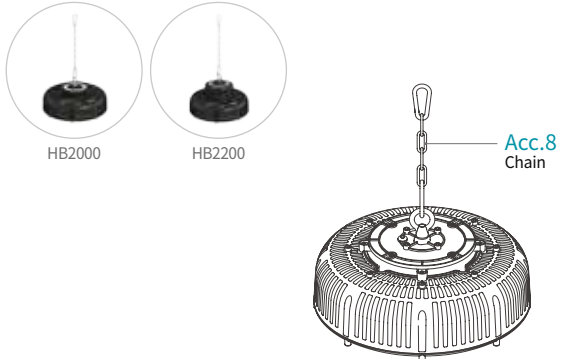


Warehouse

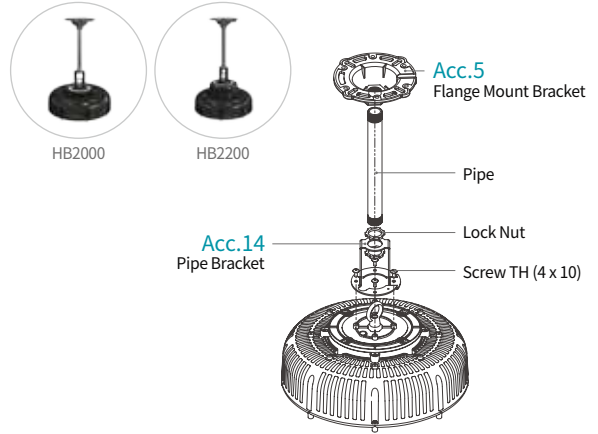


INSTALLATION TYPE * Illustrated by HB2000

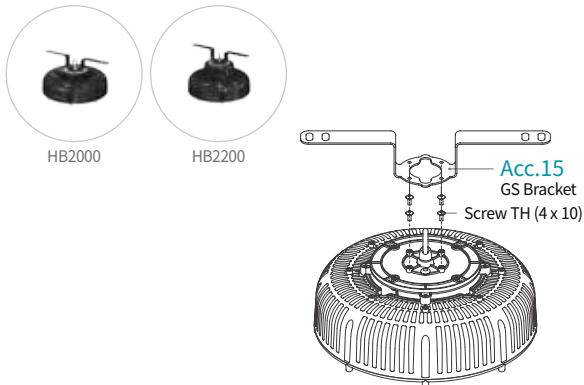
① Chain



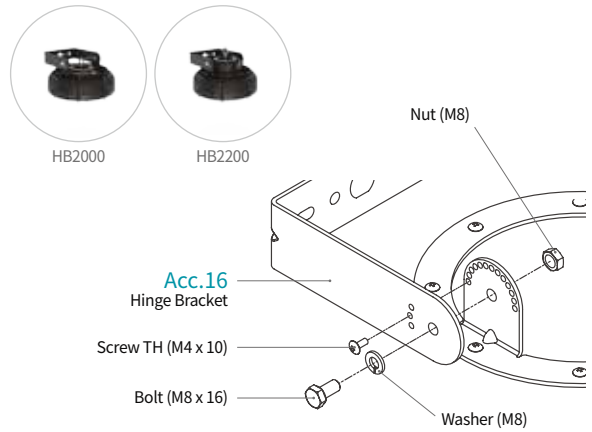
② FMB Pipe Bracket



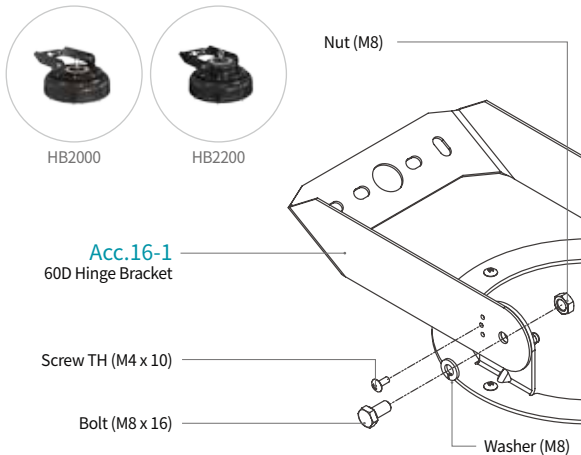
③ GS Bracket



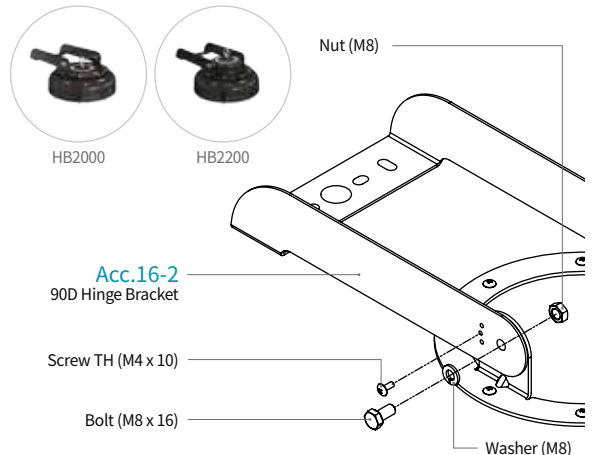
④ Hinge Bracket



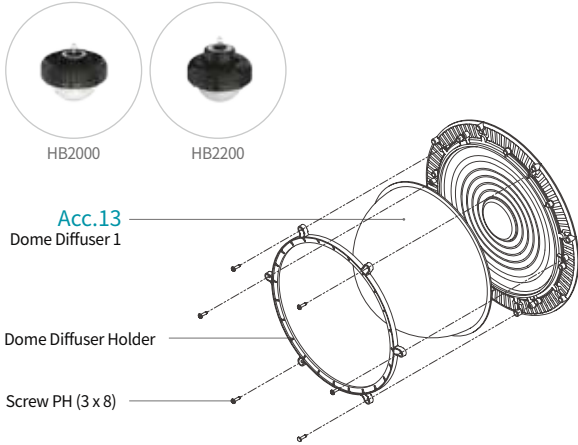
⑤ 60D Hinge Bracket



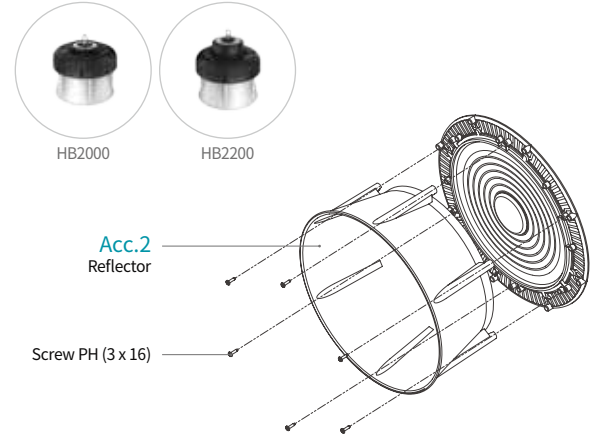
⑥ 90D Hinge Bracket



Acc.13 Dome Diffuser



Acc.2 Reflector



Beam Angle * Illustrated by HB2000

| Standard | Clear | Diffuser Cover | Cover Lens | | Dome Diffuser | Reflector |
|----------|-------|----------------|------------|------|---------------|-----------|
| | | | | | | |
| | | | | | | |
| 80° | 97° | 45° | 60° | 110° | 130° | 65° |