

External Driver

130 W / 150 W

HB2210 HB221D



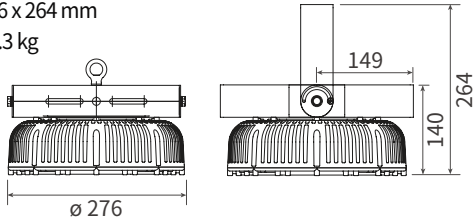
LED HIGH BAY

LED FLOOD LIGHT

LED BULB

DIMENSION

- Size : $\varnothing 276 \times 264$ mm
- Weight : 3.3 kg



FEATURES

- Convenient maintenance with external driver
- Clamping Technology applied LED flood light
- High luminous efficacy (150 lm/W)
- LED replacement for MH 400~500 W with 70% electricity saving
- Various cover options and mounting options are available
- Various beam angle are available with cover lens
- Ultraviolet free, no mercury and lead-free RoHS Compliance

SPECIFICATION

Model No.	Wattage	Replacement	Luminous Efficacy	Total Lumen	CRI	CCT	Voltage	Frequency	Surge withstand capability
HB2210-130S	130 W	MH 400 W	150 lm/W	19,500 lm	80 Ra	5,700 K	AC 220-240 V	50/60 Hz	L-N 6kV L-FG 10kV
HB2210-150S	150 W	MH 500 W	150 lm/W	22,500 lm					
HB221D-130S	130 W	MH 400 W	150 lm/W	19,500 lm	80 Ra	5,700 K	AC 100-240 V	50/60 Hz	L-N 6kV L-FG 10kV
HB221D-150S	150 W	MH 500 W	150 lm/W	22,500 lm					

- PF : > 0.96
- THD : < 15% (HB221D : < 10%)
- IP Rating : IP66

- Material : Polycarbonate, STS
- Heatsink : Copper ICEPIPE Heatsink
- Operating Temperature : -30°C ~ 50°C (-22°F ~ 122°F)
- Installation Angle : 360°

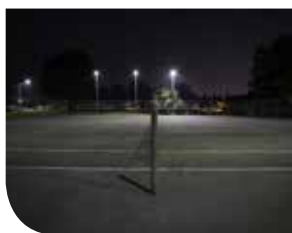
- External Driver : 150W x 1EA (3 in 1 dimming: 0-10V/PWM/3-Timer-Modes for D-150S)
- CCT : Standard - 5700 K, 3000 K / Option - 5000 K, 4000 K, 2700 K
- LED Package Life time : 50,000 hours (25°C)

*LED package life time according to industry standard (LM80), high operating temperature may shorten life span of LED package and LED lamp.

APPLICATION



Outdoor Parking Lot



Outdoor Sports Facilities



Building Exterior



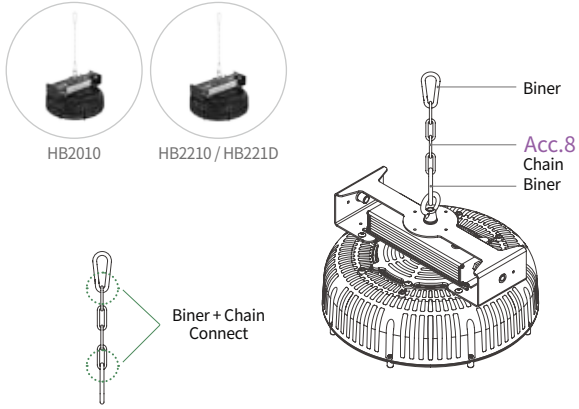
Gas Station



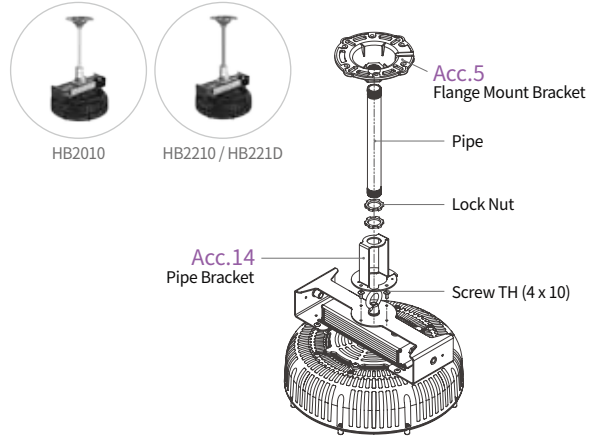
HB2010 / HB2210 / HB221D

INSTALLATION TYPE * Illustrated by HB221D

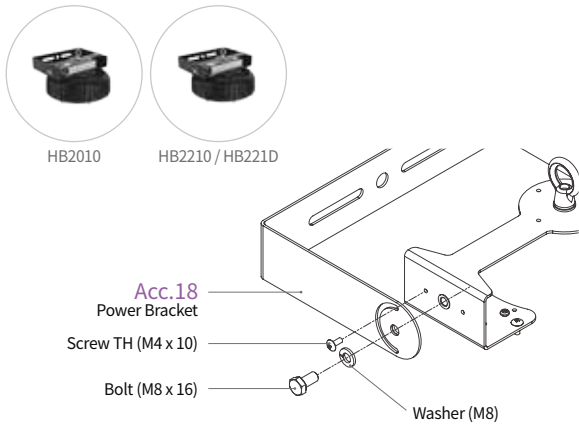
① Chain



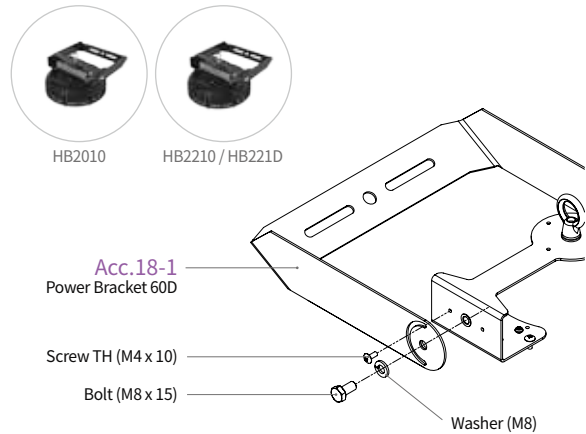
② FMB Pipe Bracket



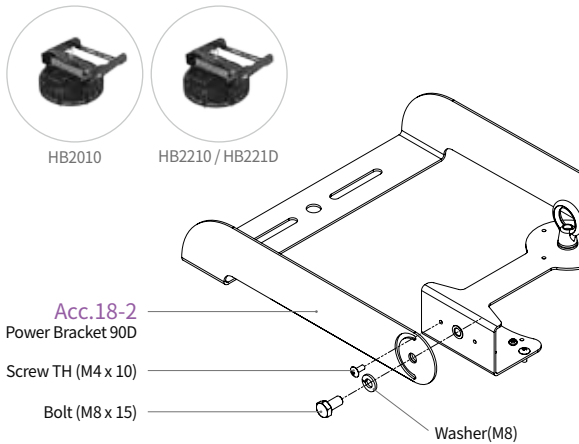
③ Power Bracket



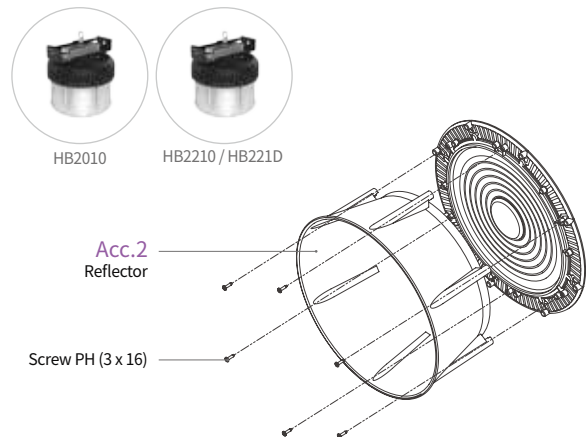
④ Power Bracket 60D



⑤ Power Bracket 90D

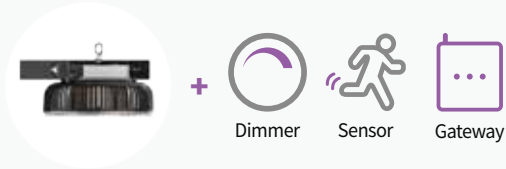


Acc.2 Reflector





Dimming Option



- 0-10V/PWM/3-Timer-Modes
- Motion/daylight sensor
- Wireless/wired control applicable

If it's not compatible dimming (0-10V, PWM, 3-timer-modes), interface controller is required. e.g.) If it's connected with DALI/DMX, additional switching module (DALI-PWM converter) is needed.

Beam Angle * Illustrated by HB2010

Standard	Clear	Diffuser Cover	Cover Lens		Reflector
	80°	97°	35°	50°	110°
					65°