



External Driver

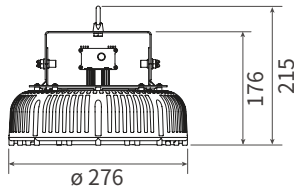
200 W

HB2510



DIMENSION

- Size : $\varnothing 276 \times 215$ mm
- Weight : 4 kg



FEATURES

- Convenient maintenance with external driver
- Clamping Technology applied LED high bay
- Through a double-array ICEPIPE, expanded heat dissipation space even having less volume
- High luminous efficacy (140 lm/W)
- LED replacement for MH 600 W with 70% electricity saving
- 360 degree installation without restriction.
- Various beam angle are available with cover lens
- Ultraviolet free, no mercury and lead-free RoHS Compliance

SPECIFICATION

Model No.	Wattage	Replacement	Luminous Efficacy	Total Lumen	CRI	CCT	Voltage	Frequency
HB2510-200S	200 W	MH 600 W	140 lm/W	28,000 lm	80 Ra	5,700 K	AC 100-240 V	50/60 Hz

- PF : >0.96
- THD : <10%
- Surge withstand capability : L-N 6kV, L-FG 10kV
- Operating Temperature : -30°C ~ 50°C (-22°F ~ 122°F)

- Material : Polycarbonate, STS
- Heatsink : Copper ICEPIPE Heatsink
- IP Rating : -
- Installation Angle : 360°

- External Driver : 200W x 1EA (3 in 1 dimming: 0-10V/PWM/3-Timer-Modes)
- CCT : Standard - 5700 K, 3000 K / Option - 5000 K, 4000 K, 2700 K
- LED Package Life time : 50,000 hours (25°C)
*LED package life time according to industry standard (LM80), high operating temperature may shorten life span of LED package and LED lamp.

APPLICATION



Factory



Gymnasium



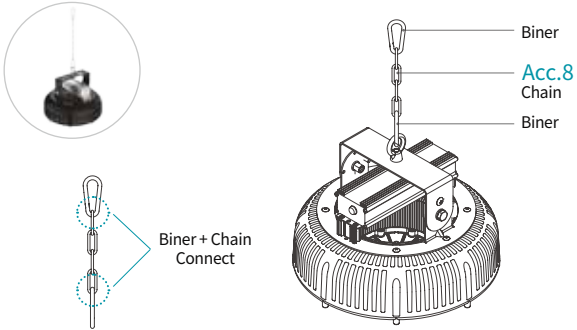
Auditorium



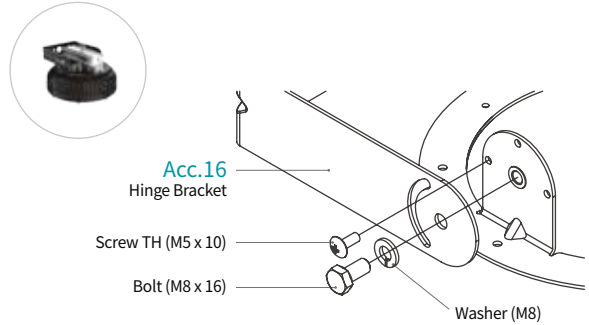
Warehouse

INSTALLATION TYPE

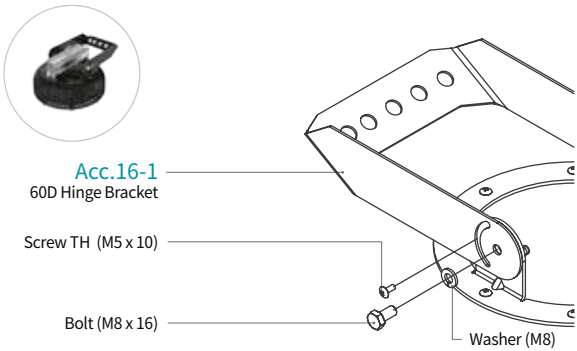
① Chain



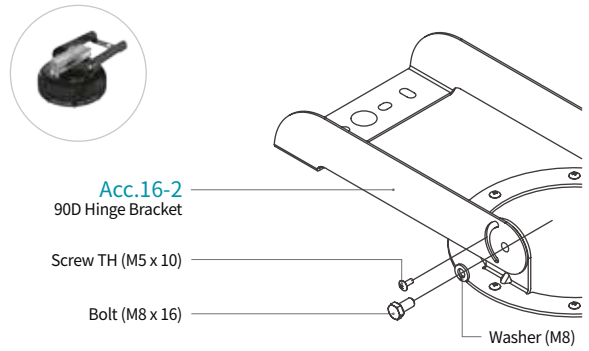
② Hinge Bracket



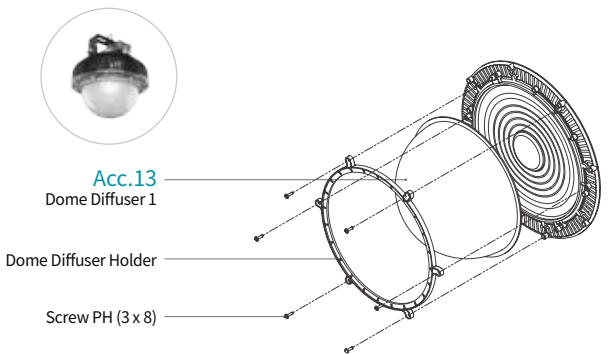
③ 60D Hinge Bracket



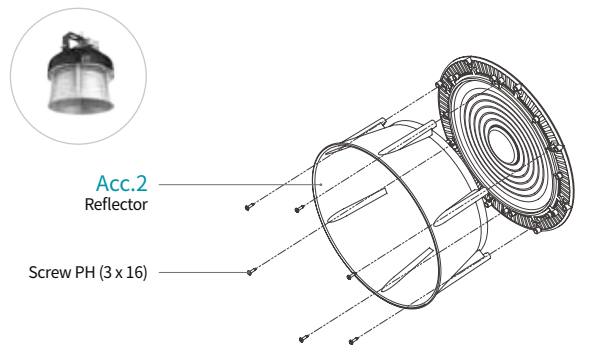
④ 90D Hinge Bracket



Acc.13 Dome Diffuser



Acc.2 Reflector



Beam Angle

Standard	Clear	Diffuser Cover	Cover Lens			Dome Diffuser	Reflector
80°		97°	35°	50°	110°	130°	65°