



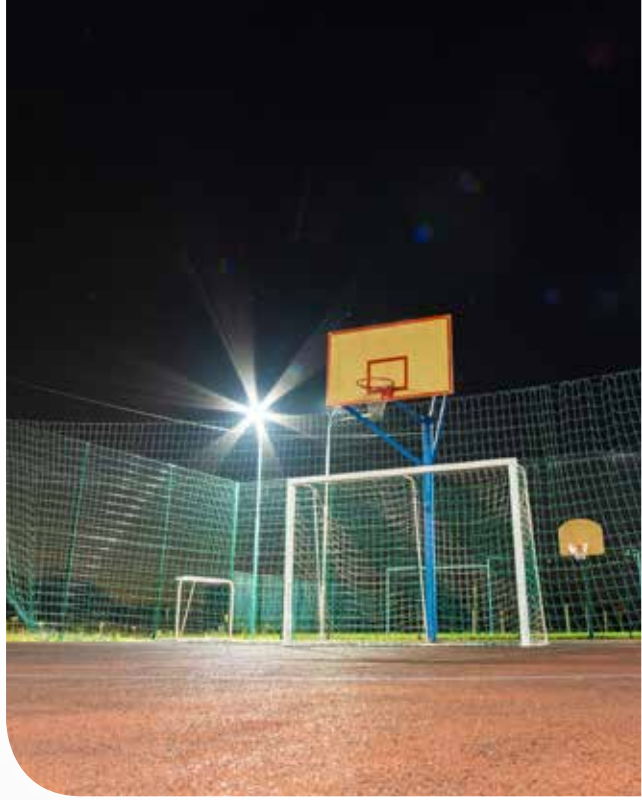
External Driver

400 W / 450 W

RCT

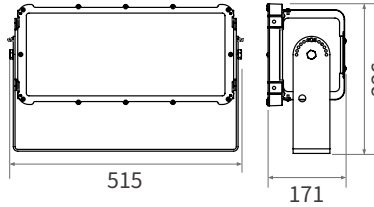


Option Sun visor



DIMENSION

- Size : 515 x 171 x 326 mm
- Weight : 10.5 kg (Driver not incl.)



FEATURES

- External driver for safe & easy repair
- Replace MH 1~1.2kW
- Excellent heat dissipation by ICEPIPE FDP technology
- Improved durability by metal housing & glass cover
- Various lens options (20°~120°)
- IP67 (driver & lamp) for outdoor use
- Eco-friendly & RoHS compliant (UV/Lead/Mercury-free)

SPECIFICATION

Model No.	Wattage	Replacement	Luminous Efficacy	Total Lumen	CRI	CCT	Voltage	Frequency
RCT-400	400 W	MH 1 kW	145 lm/W	58,000 lm	80 Ra	5,700 K	AC 100-240 V	50/60 Hz
RCT-450	450 W	MH 1.2 kW	145 lm/W	65,250 lm				
RCT-400C	400 W	MH 1 kW	140 lm/W	56,000 lm	75 Ra			
RCT-450C	450 W	MH 1.2 kW	140 lm/W	63,000 lm				

- PF : > 0.9
- THD : < 15 %
- Surge withstand capability : L-N 6kV, L-FG 10kV
- IP Rating : IP67

- Material : Steel
- Heatsink : Copper ICEPIPE Heatsink
- Operating Temperature : -30°C ~ 50°C
- Installation Angle : 360°

- External Driver : 480W x 1EA (3 in 1 dimming: 0-10V/PWM/3-Timer-Modes)
- CCT : Standard - 5700K / Option - 3000K(Non-lens type only)
- LED Package Life time : 50,000 hours (25°C)
- *LED package life time according to industry standard (LM80), high operating temperature may shorten life span of LED package and LED lamp.

APPLICATION



Outdoor Sports Facilities



Port



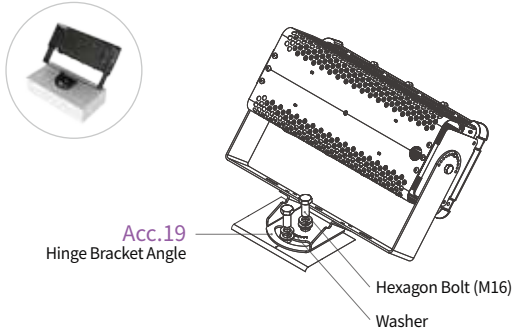
Factory



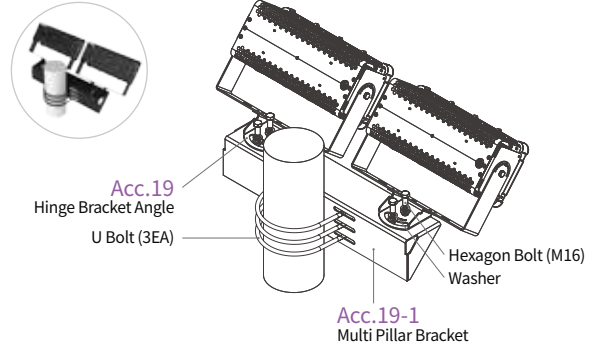
Outdoor Parking Lot

INSTALLATION TYPE * Applied to RCT-400 / RCT-450 / RCT-400C / RCT-450C

① Hinge Bracket Angle



② Multi Pillar Bracket



BEAM ANGLE

RCT-400	RCT-450	RCT-400C		RCT-450C	
120°		20°	30°	45°	60°
RCT-800A		RCT-800C		RCT-900C	
10°		20°		30°	
				45°	
				60°	
RCT-1200A		RCT-1200C		RCT-1350C	
10°		20°		30°	
				45°	
				60°	